

C 16-1 Circular Connector Threaded Coupling – Plastic

Designed to meet the high requirements of Industrial applications under harsh environment. Available in Screw; Solder and Crimp terminations.

Materials

Housing - Polyamide 6.6
Dielectric - Polyamide 6.6
Gasket - Neoprene
Contact Plating - Silver

Electrical

Current - See below

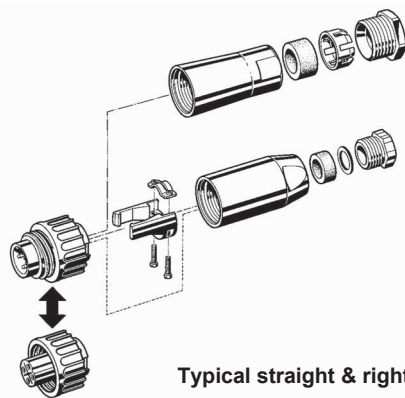
Mechanical

Durability - 500 Mating cycles

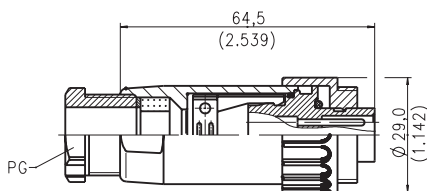
Crimp Termination

Automatic - Consult representative
Hand tool - TA 0100 146 page X-1

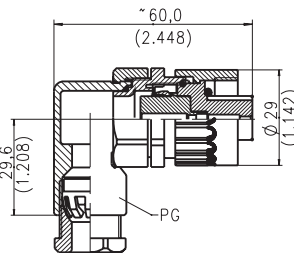
C 16-1 Cable Connectors IP67 protection level							Part Numbers:			
Contacts	Termination	Electrical			Orientation	Remarks *without contacts	Ø 9mm Cable Outlet		Ø 11mm Cable Outlet	
		AWG	V	I			Male	Female	Male	Female
3 + PE	Screw Termination	14	400	16	Straight	With Strain Relief	T3108 001	T3109 001	T3108 101	T3109 101
						Without Strain Relief	T3108 000	T3109 000	T3108 100	T3109 100
6 + PE	Solder Termination	18	250	10	Straight	With Strain Relief	T3104 001	T3105 001	T3104 101	T3105 101
						Without Strain Relief	T3104 000	T3105 000	T3104 100	T3105 100
	Right Angle	With Strain Relief	T3104 501	T3105 501	T3104 601	T3105 601				
		Without Strain Relief	T3104 500	T3105 500	T3104 600	T3105 600				
	Crimp Termination	16	200	13	Straight	With Strain Relief *	T3104 081	T3105 081	T3104 091	T3105 091
						Without Strain Relief *	T3104 581	T3105 581	T3104 591	T3105 591
C 16-1 Receptacle Connectors IP67 protection level										
3 + PE	Screw Termination	14	400	16	Panel Mount	With Contacts	T3111 000			
6 + PE	Solder Termination	18	250	10		With Contacts	T3107 000			
	Crimp Termination	16	200	13		Without Contacts	T3107 500			
C 16-1 Accessories										
Item	Description									
	Cap	Male cable connector						T6482 001		
	Female receptacle						T6483 001			
Back shell	Straight 10 pieces per pack						T3102 003 7 X		T3102 004 7 X	
	Straight with strain relief 13.5mm Ø						T3102 005 7 X			
	Right angle with strain relief						T3102 015 7 X		T3102 014 7 X	
Strain relief	12mm Ø cable						N16 110 2000 X			
C 16-1 Crimp Contacts for 0.14 ~ 0.5mm ²										
Pack of 100 single contacts							Reel of 2000			
Silver Plated				Gold Plated			Silver Plated		Gold Plated	
Pin	Socket	Pin	Socket	Pin	Socket	Pin	Socket	Pin	Socket	
VN010160011(1)	VN020160003(1)	VN010160011(2)	VN020160003(2)	HN010160011(1)	HN020160003(1)	HN010160011(2)	HN020160003(1)	HN010160011(2)	HN020160003(1)	
C 16-1 Crimp Contacts for 0.5 ~ 1.5mm ²										
Pack of 100 single contacts							Reel of 2000			
Silver Plated				Gold Plated			Silver Plated		Gold Plated	
Pin	Socket	Pin	Socket	Pin	Socket	Pin	Socket	Pin	Socket	
VN010160004(1)	VN020160002(1)	VN010160004(2)	VN020160002(2)	HN010160004(1)	HN020160002(1)	HN010160004(1)	HN020160002(1)	HN010160004(1)	HN020160002(1)	
C 16-1 is available in reverse polarity – consult representative										



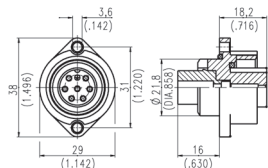
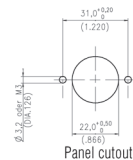
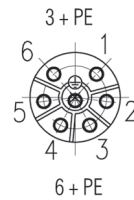
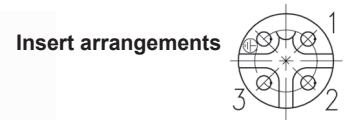
Typical straight & right angle Plug assemblies



Typical straight Plug dimensions



Typical right angle Plug dimensions



Typical panel mount Receptacle

For further variations and information, consult representative

C 16-3 Circular Connector Bayonet Coupling – Plastic IP65

Designed to meet the high requirements of Industrial applications under harsh environment. Available in Screw and Crimp terminations.

Materials

Housing - Polyamide 6.6
Dielectric - Polyamide 6.6
Gasket - Neoprene
Contact Plating - Silver

Electrical

Current - See below

Mechanical

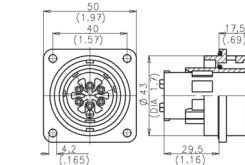
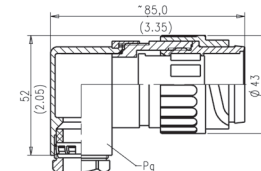
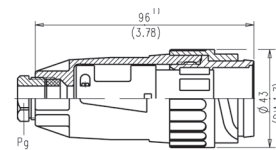
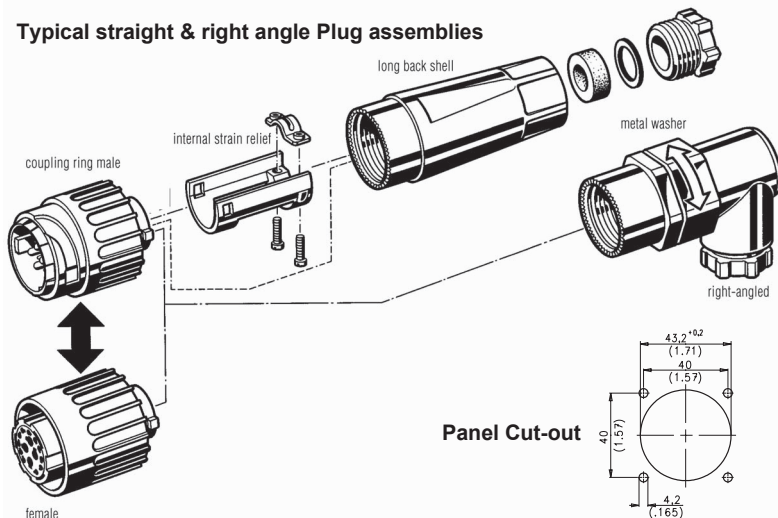
Durability - 500 Mating cycles

Crimp Termination

Automatic - Consult representative
Hand tool - TA 0100 146 page X-1

C 16-3 Cable Connectors				Part Numbers:		
Contacts	Termination	Electrical		Orientation	Ø 16mm Cable Outlet	
		V	I (A)		Male	Female
5 + PE	Screw Termination	400V	21A	Straight	C016 20I005 104 2	C016 20E005 104 2
				Right Angle	C016 20K005 104 2	C016 20F005 104 2
12 + PE	Crimp Termination*	4 x 500V 9 x 300V	4 x 21A 9 x 11A	Straight	C016 10I012 004 2	C016 10E012 004 2
				Right Angle	C016 10K012 004 2	C016 10F012 004 2
14 + PE	Crimp Termination*	400V	4 x 11A 11 x 12A	Straight	C016 10I014 004 2	C016 10E014 004 2
				Right Angle	C016 10K014 004 2	C016 10F014 004 2
19 + PE	Crimp Termination*	250V	7A	Straight	C016 10I019 004 2	C016 10E019 004 2
				Right Angle	C016 20K019 004 2	C016 10F019 004 2
* Supplied without contacts. Crimp terminals must be ordered separately, see C16-3 Crimp Contacts						
C 16-3 Receptacle Connectors						
5 + PE	Screw Termination	400V	21A	Panel Mount	C016 20G005 100 2	
12 + PE	Crimp Termination*	4 x 500V 9 x 300V	4 x 21A 9 x 11A		C016 10G012 000 2	
14 + PE	Crimp Termination*	400V	4 x 11A 11 x 12A		C016 10G014 000 2	
19 + PE	Crimp Termination*	250V	7A		C016 10G019 000 2	
* Supplied without contacts. Crimp terminals must be ordered separately, see C16-3 Crimp Contacts						
C 16-3 Accessories						
Item	Description					
Cap	Cable connector				C016 00U000 010 2	
	Female receptacle				C016 00V000 000 2	
Tool	Disassembly tool for pin and socket inserts				FH 0002-016	
C 16-3 Crimp Contacts						
Housing	Contacts/housing	Wire range	Pack of 100 single contacts		Reel of 2000	
			Silver Plated* ¹		Silver Plated* ¹	
12 + PE	4	0.5 ~ 1.5mm ²	VN 01 025 0001 (101)	VN 02 025 0001 (101)	HN 01 025 0001 (1)	HN 02 025 0001 (1)
	or 4	1.5 ~ 2.5mm ²	VN 01 025 0010 (101)	VN 02 025 0010 (101)	HN 01 025 0010 (1)	HN 02 025 0010 (1)
	9	0.14 ~ 0.5mm ²	VN 01 016 0003 (1)	VN 02 016 0003 (1)	HN 01 016 0003 (1)	HN 02 016 0003 (1)
	or 9	0.5 ~ 1.5mm ²	VN 01 016 0002 (1)	VN 02 016 0002 (1)	HN 01 016 0002 (1)	HN 02 016 0002 (1)
14 + PE	4	0.14 ~ 0.5mm ²	VN 01 015 0005 (1)	VN 02 015 0005 (1)	HN 01 015 0005 (1)	HN 02 015 0005 (1)
	or 4	0.5 ~ 1.0mm ²	VN 01 015 0039 (1)	VN 02 015 0039 (1)	HN 01 015 0039 (1)	HN 02 015 0039 (1)
	11	0.14 ~ 0.5mm ²	VN 01 016 0003 (1)	VN 02 016 0003 (1)	HN 01 016 0003 (1)	HN 02 016 0003 (1)
	or 11	0.5 ~ 1.5mm ²	VN 01 016 0002 (1)	VN 02 016 0002 (1)	HN 01 016 0002 (1)	HN 02 016 0002 (1)
19 + PE	or 11	1.5 ~ 2.5mm ²	VN 01 016 0005 (1)	VN 02 016 0005 (1)	HN 01 016 0005 (1)	HN 02 016 0005 (1)
	20	0.14 ~ 0.5mm ²	VN 01 015 0005 (1)	VN 02 015 0005 (1)	HN 01 015 0005 (1)	HN 02 015 0005 (1)
	or 20	0.5 ~ 1.0mm ²	VN 01 015 0039 (1)	VN 02 015 0039 (1)	HN 01 015 0039 (1)	HN 02 015 0039 (1)
* ¹ For Gold Plated contacts replace (1) with (2) and (101) with (102)						
C16-3 is available in reverse gender – consult representative						

Typical straight & right angle Plug assemblies



Typical Connector dimensions Insert arrangements

For further variations and information, consult representative

C 091 Miniature Circular Connectors – EMI Shielded

Range	C 091 A	C 091 B	C 091 D
Coupling	Threaded	Bayonet	Threaded
Strain relief	Internal	Internal	Internal
Coloured Backshells	Yes	Yes	Yes
IP rating	40	40	67
Materials	Housing	Die Cast	Die Cast Ni Plated
	Dielectric	Thermoplastic	Thermoplastic
	Seal		Neoprene
	Coupler	Die Cast	Thermoplastic
Durability - cycles	500	500	500

Solder Cable Connector with 6mm cable outlet – Crimp available from 3 to 8 position, consult representative

			Part Number						
Contacts	V	I (A)	Male	Female	Male	Female	Male	Female	
3 DIN	300	5	Straight	T3260 001	T3261 001	T3274 501	T3278 501	C091 31H003 1002	C091 31D003 1002
			Right Angle	T3260 005	T3261 005	T3274 005			
4 IEC			Straight	T3300 001	T3301 001	T3324 501	T3328 501	C091 31H004 1002	C091 31D004 1002
			Right Angle	T3300 005	T3301 005	T3324 005			
5			Straight	T3360 001	T3361 001	T3374 501	T3378 501	C091 31H005 1002	C091 31D005 1002
			Right Angle	T3360 005	T3361 005	T3374 005			
5 S DIN	150	Straight	T3360 010	T3361 010	T3394 501	T3398 501	C091 31H105 1002	C091 31D105 1002	
		Right Angle	T3356 005	T3357 005	T3394 005				
6 DIN	300	Straight	T3400 001	T3401 001	T3424 501	T3428 501	C091 31H006 1002	C091 31D006 1002	
		Right Angle	T3400 005	T3401 005	T3424 005				
7		Straight	T3475 001	T3476 001	T3434 501	T3438 501	C091 31H007 1002	C091 31D007 1002	
		Right Angle	T3475 005	T3476 005	T3434 005				
7 DIN		150	Straight	T3484 001	T3485 001	T3444 501	T3448 501	C091 31H107 1002	C091 31D107 1002
			Right Angle	T3484 005	T3485 005	T3444 005			
8 DIN	Straight		T3504 001	T3505 001	T3524 501	T3528 501	C091 31H008 1002	C091 31D008 1002	
	Right Angle		T3504 005	T3505 005	T3524 005				
12	Straight		T3635 001	T3636 001	T3624 501	T3628 501	C091 31H012 2002*	C091 31D012 2002*	
	Right Angle		T3635 005	T3636 005	T3624 005				
14	Straight	T3650 001	T3651 001	T3644 501	T3648 501	C091 31H014 2002*	C091 31D014 2002*		
	Right Angle	T3650 005	T3651 005	T3644 005					

Female Receptacle Connector

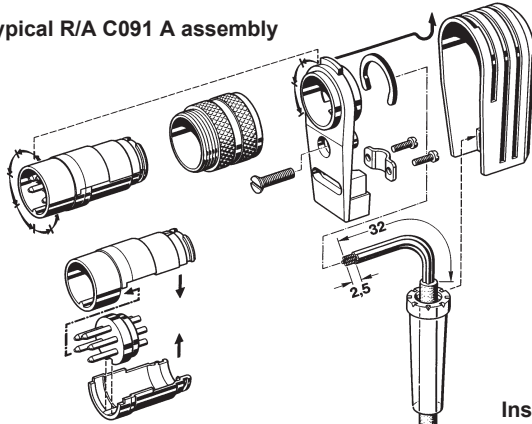
* Only available in gold plated contacts

			Part Number					
Contacts	V	I (A)	Panel Mount Solder silver contacts	R/A PCB With Boardlock gold contacts	Panel Mount Solder silver contacts	R/A PCB With Boardlock silver contact	Panel Mount Solder silver contacts	Flange Mount Solder silver contact
3 DIN	300	5	T3263 000	T3263 900	T3277 100	T3277 600	C091 31N003 1002	C091 31T003 1002
4 IEC			T3303 000		T3327 100		C091 31N004 1002	C091 31T004 1002
5			T3363 000		T3377 100	T3377 600	C091 31N005 1002	C091 31T005 1002
5 S DIN	150		T3363 010	T3359 900	T3397 100	T3397 600	C091 31N105 1002	C091 31T105 1002
6 DIN	300		T3403 000		T3427 100	T3427 600	C091 31N006 1002	C091 31T006 1002
7			T3478 000		T3437 100		C091 31N007 1002	C091 31T007 1002
7 DIN	150	T3487 000	T3487 900	T3447 100		C091 31N107 1002	C091 31T107 1002	
8 DIN		T3507 000	T3507 900	T3527 100		C091 31N008 1002	C091 31T008 1002	
12		T3638 000		T3627 100		C091 31N012 2002*	C091 31T012 2002*	
14		T3653 000		T3647 100		C091 31N014 2002*	C091 31T014 2002*	

Reverse gender and Crimp types are available, consult representative or catalogue ATE 2071 08.98 5000 (ATE)

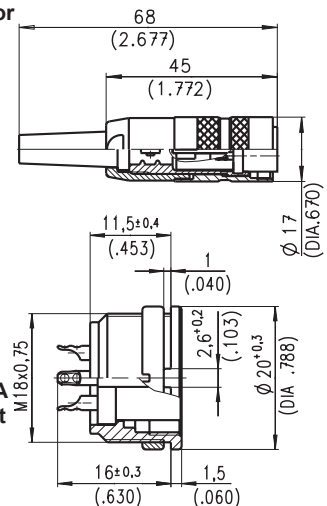
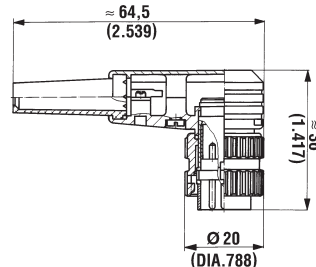
* Only available in gold plated contacts

Typical R/A C091 A assembly

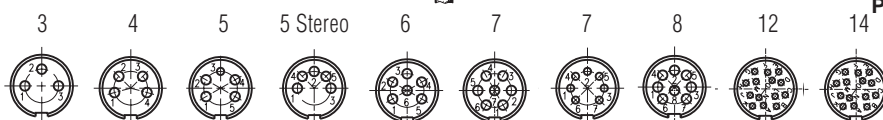


Typical C091 D Cable Connector

Typical R/A C091 B Cable Connector



Insert arrangements



Typical C091 A Panel mount

For further variations and information, consult representative

QUELARC® Heavy Duty Connector System

Built to withstand the most severe operating conditions. Features Compound Circuit Breaking Arc Chambers confining arcs during initial break.

Materials

Receptacles – Rust Resistant
– Ferrous Alloy
Plug – Aluminum Alloy

Electrical

Current – Up to 200 Amp
Voltage – 250DC/600VAC

Features

Grounding contact – MFBL
UL & CSA Certification
Flat Long Life Contacts
Solder Contacts

Options

Reverse Polarity
Automatic & Remote Control Contacts
T & D Handles
Cord Grips
Various Insert Arrangements

Conduit Hub Size	Mating Halves							
	100 Amp 3-Pole/4 Wire Grounded thru Shell and Extra Pole							
	Receptacles				Plug			
	Angle Housing (as per drawing)		Straight Housing		Panel Mount w/Gasket		Straight	
Option	Part Number:	Option	Part Number:	Option	Part Number:	Part Number:	Cable ØD Range	
38.1mm	W/ Spring Door	JRCBB-510446	W/ Spring Door	JRCA-510446	W/ Spring Door	JRC-4104	JPD-1110446	25.4~34.9mm
							JPD-1410446	34.9~44.5mm
	Threaded	JRLBB-510446	Threaded	JRLA-510446	Threaded	JRL-4104	JPLD-1110446	25.4~34.9mm
							JPLD-1410446	34.9~44.5mm
	Threaded & Cap	JREBB-510446	Threaded & Cap	JREA-510446	Threaded & Cap	JRE-4104	JPLD-1110446	25.4~34.9mm
							JPLD-1410446	34.9~44.5mm
Diagram								
Description	Cable ØD Range	Part Number:					Insert Arrangement	
In-Line Connector Plug & Receptacle SET with Threaded Coupling mechanism	25.4~34.9mm	JRKD-1110446						
	34.9~44.5mm	JRKD-1410446						

44 Series Economy Series Environmentally Sealed Circular Connectors

Amphenol's 44 Series connector system offer high performance at low cost. Ideal for applications requiring environmentally sealed connectors.

Materials

Insulation – 94V-0 Santoprene
Contact – Copper Alloy
Plating – Electroin
Colour – Black

Characteristics

Wire Gauge – 18 ~ 14 AWG
Insulation Diameter – 2.03 ~ 3.30 mm
Temperature – -40°C ~ 105°C
Coupling – Push Pull
Protection – IP65

Electrical

Current Rating – 8 Amps
Voltage Rating – 250 VAC rms
Resistance
Contact – < 30 mΩ
Insulation – > 5,000 MΩ
Dielectric Withstand – 1000 VRMS

Customer Options

Shell sizes – 5
Contact arrangements – 6
Circuit sizes – 1 ~ 6

Related Information

Full Cycle Tool – 357-588
Economy Crimping Tool – 357-561

Applications

Truck Accessories
Marine Industrial
Traffic Control
Automotive Safety
Mining Ventilation

Housings

No. of Contacts	Part Numbers:	
	Mating Halves	
	Receptacle	Plug
1	44-104-10001-02	44-103-10001
2	44-104-10002-02	44-103-10002
3	44-104-10003-02	44-103-10003
4	44-104-10004-02	44-103-10004
5	44-104-10005-02	44-103-10005
6	44-104-10006-02	44-103-10006

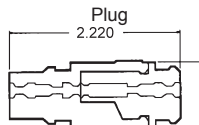
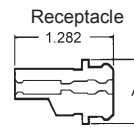
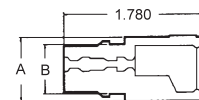
Crimp Contacts

Reel Quantity	Part Number:	
	Pin Contacts	
	Pin Contacts	Socket Contacts
100	44-100-1414P-1H*	44-102-1414S-1H*
1000	44-100-1414P-1K*	44-102-1414S-1K*

* Add suffix (101) to Crimp Contact part numbers to have contacts removed from the reels and package in bags.

Insert Arrangements

Contact ØD	1	2	3	4	5	6
	12.62	15.41	17.98	20.80	20.80	23.69



No. of Contacts	Dimensions	
	A (mm)	B (mm)
1	12.62	11.17
2	15.41	11.93
3	17.98	14.47
4	20.80	17.32
5	20.80	17.32
6	23.69	20.21

For further variations and information, consult representative